



# NASA Engineering and Safety Center Technical Assessment Report

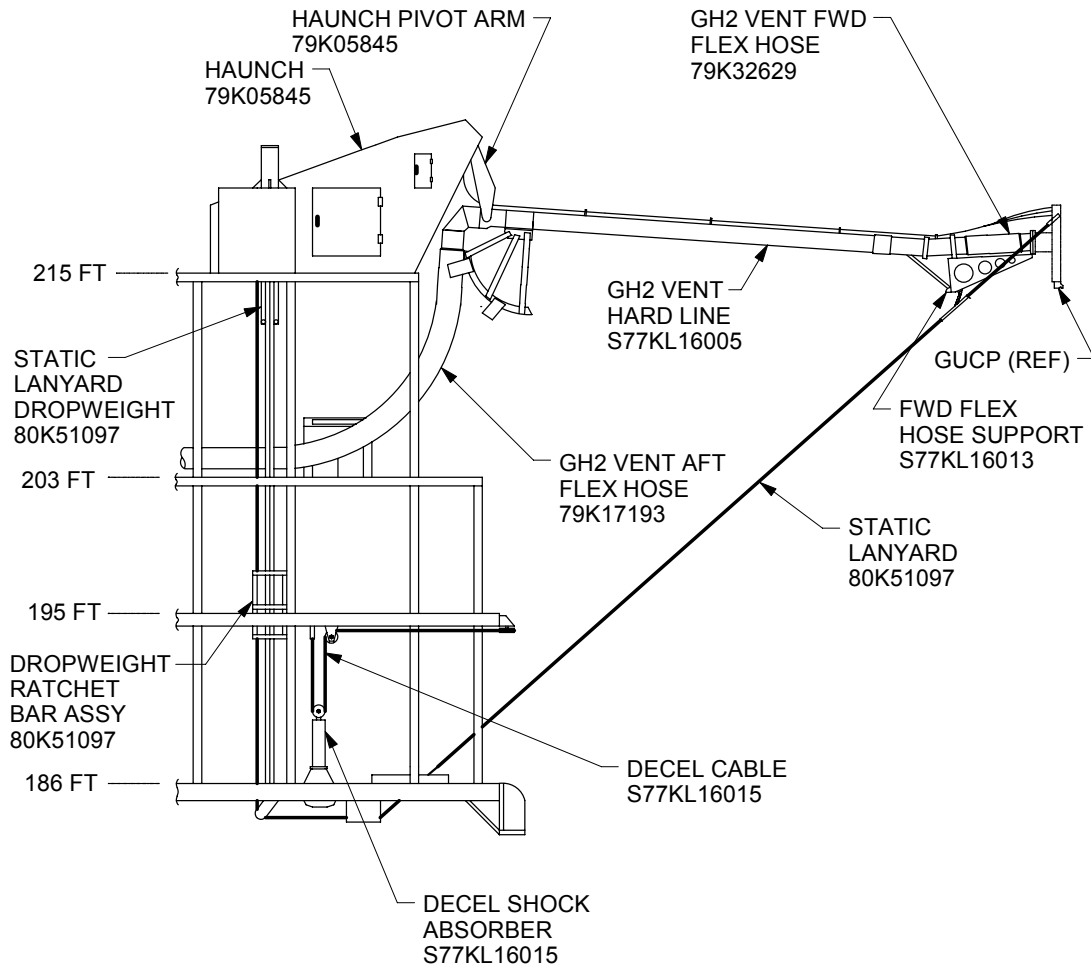
Document #:  
**RP-05-114**

Version:  
**1.0**

Title:

## Kennedy Space Center (KSC) Launch Complex 39 (LC-39) Gaseous Hydrogen (GH<sub>2</sub>) Vent Arm Behavior Prediction Model Review Technical Assessment Report

Page #:  
9 of 32



**Figure 6.0-1. Tank Vent Umbilical Retraction Mechanism**